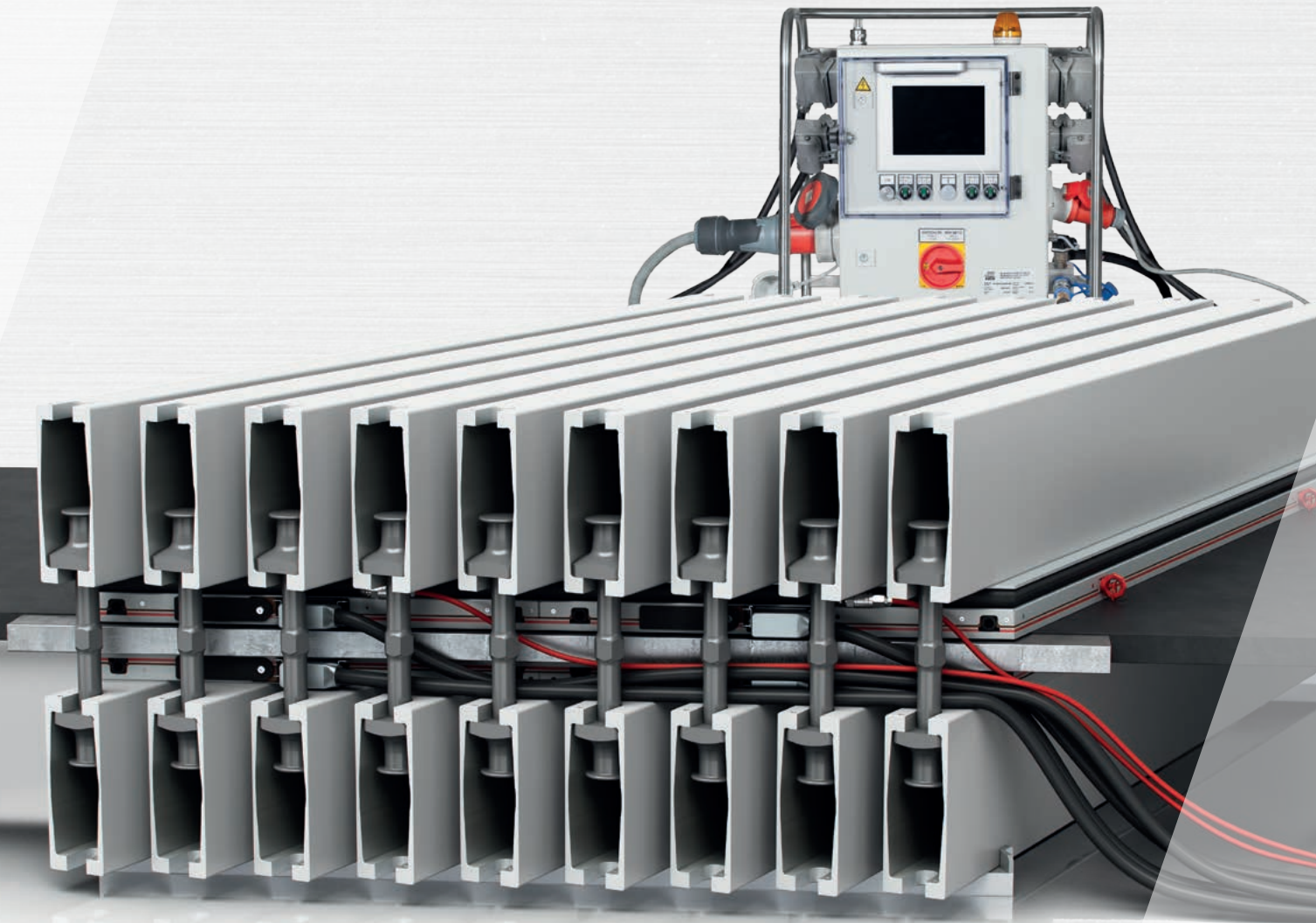




// ONE BRAND // ONE SOURCE // ONE SYSTEM



HIGH PERFORMANCE //
in vulcanizing technology

// SERVICE // MATERIAL PROCESSING // SURFACE PROTECTION // AUTOMOTIVE

REMAPRESS IVE

Pioneering, innovative, certified by German TÜV



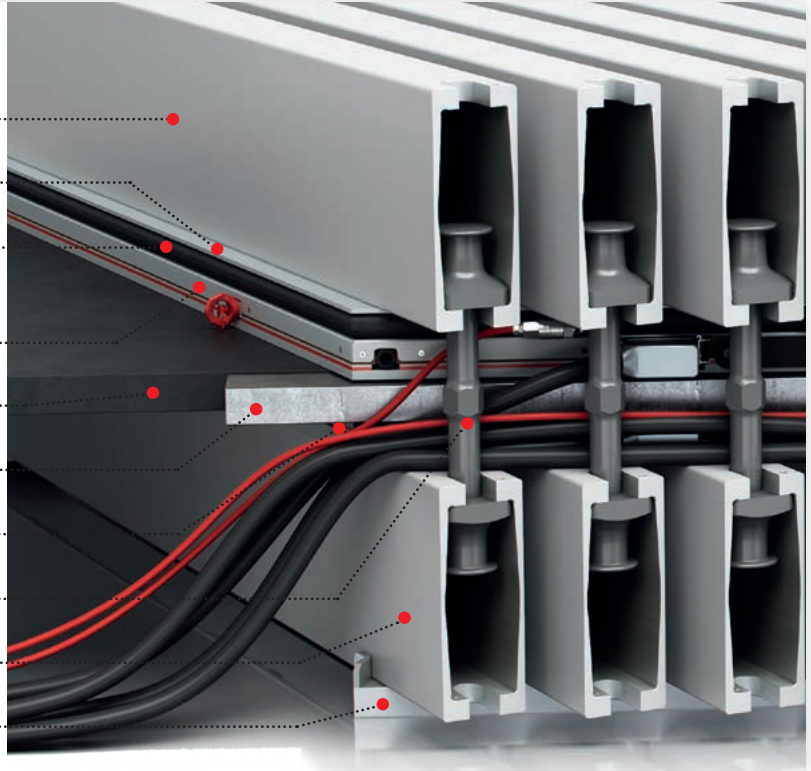
REMAPRESS IVE

The new vulcanizing presses „REMAPRESS IVE“ with pressure bags, heating plates and silicone heating mats developed and marketed by REMA TIP TOP impress with highest quality features, application-oriented design and certification by German TÜV.



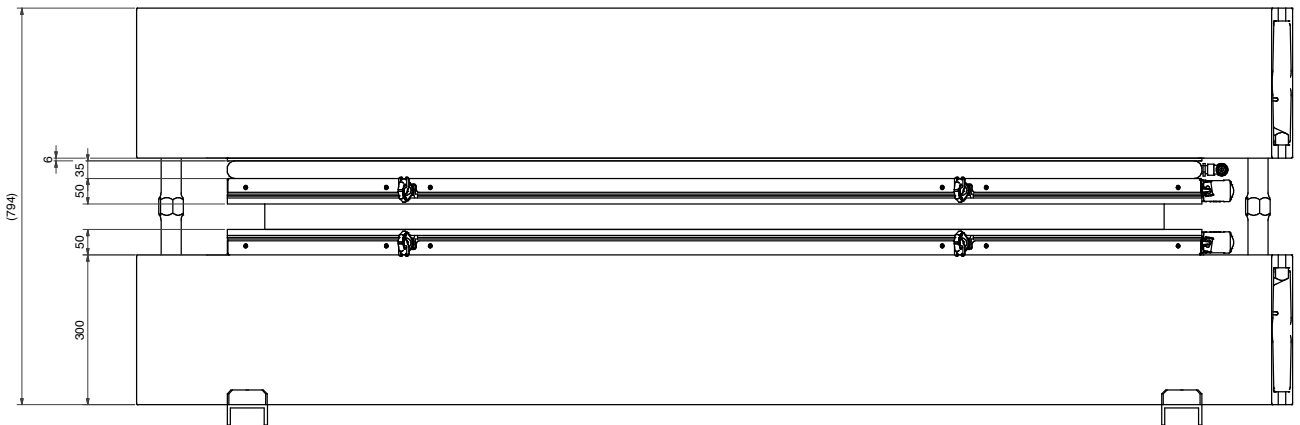
Components

- 1 Crossbeams
- 2 Pressure distribution sheet
- 3 Pressure bag, certified by German TÜV
- 4 Heating plate
- 5 Conveyor belt
- 6 Edge rail
- 7 Heating plate
- 8 Tension bolt
- 9 Crossbeams
- 10 Rack



Pressure System »Pressure Bag«

This pressure system generates an absolutely even surface pressure to the joint. Even if you splice a new conveyor belt to an old and used conveyor belt, the system will manage to equalize any unevenness.



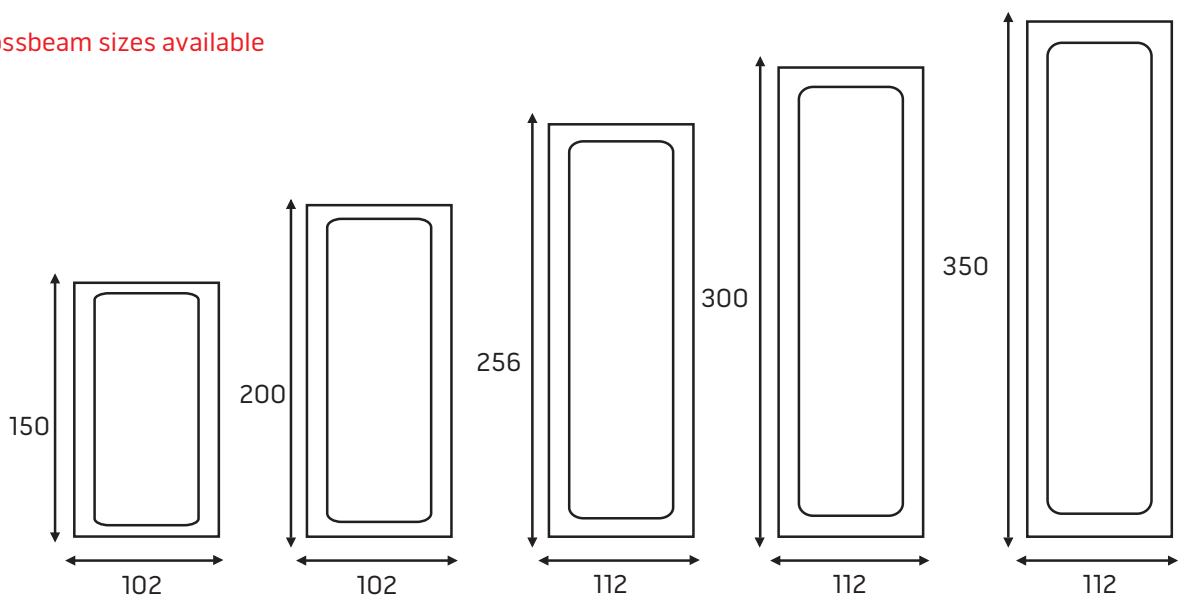
Example

OUR INNOVATION

Our characteristic features

- Rotable carrying handle for crossbeams and heating plates
 - **Equal surface pressure over the complete splicing due to REMA TIP TOP pressure bag certified by German TÜV**
 - **Pressure bag with aramid inlays meets highest safety standards**
 - 20% less deflection of crossbeams
 - 20% less liquid requirement, therefore faster build-up of pressure than comparable presses from market competitors
 - Tension bolt threads protected against damage
 - Despite being made of high-strength steel, the tension bolts weigh 2kg less apiece than conventional steel tension bolts
 - Tension bolts sealed up and that way protected against soiling
 - Lightweight, high-strength pressure distribution sheet made of aluminium
- Pressure application:
 - AIR:** For pressures up to 70 N/cm² (100 Psi)
 - FLUID:** For pressures up to 140 N/cm² (200 Psi)
 - CE-, CSA- and UL-certified electronics
 - **Heating plate connection, protection class IP 64 > certified by German TÜV**
 - Optimized monitoring of temperature difference
 - Available for voltages from 230 to 600 Volt
 - Control cabinet, protection class IP 44
 - Optional data recording within control cabinet, data export via USB interface
 - Usable in admissible ambient temperature from -20°C to +55°C
 - Distinct colours for pressure hoses (red/black) and cooling water hoses (blue/white)
 - Silicone heating mat with vulcanized-on intermediate plate
 - Transport-proof, plugable connection cable

Crossbeam sizes available



Dimensions in mm

PRESSURE SYSTEM AIR



Air control box

- Pressure control up to 70 N/cm² (7 bar/100 psi)
- Equipped with safety valve and pressure gauge

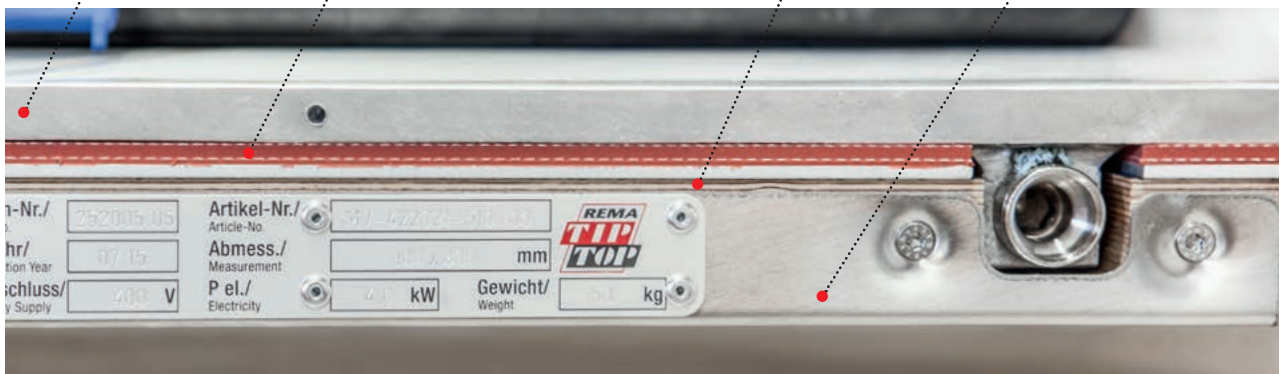
Pressure bag for compressed air with safety valve

- Certified by German TÜV
- Robust rubber pressure bags with aramid strengthening
- Available in rectangular shape 90°, rhombic 16° 42' or 22°
- Uniform pressure distribution by means of the pressure bag
- Oil-free compressed air is used as the pressure medium
- Pressure regulation up to max. 70 N/cm² (100 psi)



Flexible heating plate

1. Extruded cooling pressure plate
2. Silicone heating mat with vulcanized-on intermediate plate
3. Insulating plate
4. Cover sheet



- Available in different shapes: rectangular 90°, rhombic 16° 42' or 22°
- Low individual weight
- Equipped for air or water cooling
- Flush heating plate connection with connector lock and protection cap
- Short heating-up time
- Water cooling system equipped with extruded cooling channels for short cooling-down time
- Optimized pressure and temperature distribution

PRESSURE SYSTEM WATER/GLYCOL



Pressure water system Type I and Type II (portable)

- Pressure medium: water-glycol-mixture
- Delivery rate: Type I: 8 l/min,
Type II: 20 l/min
- Weight: Type I: 35 kg,
Type II: 45 kg
- Additional container: 30 l or 50 l
- Pressure range: 70-140 N/cm² (100-200 psi)
- Equipped with safety valve, digital pressure display and digital pressure setting
- 400 V, 3/N/PE 50 Hz
(more voltages on request)
- Fully equipped with protective housing, carrying handles and hook point
- Including hose connector sets

Pressure water system (mobile)

- Pressure medium: water-glycol-mixture
- Delivery rate: 12 l/min.
- Weight: approx. 85 kg
- Container capacity: 110 l
- Pressure range: 70-140 N/cm² (100-200 psi)
- Equipped with safety valve, digital pressure display and digital pressure setting
- 400 V, 3/N/PE 50 Hz
(more voltages on request)
- electrically switchable from pressure to suction operation, hoses do not need to be replugged
- automatic rotation field monitoring and control
- automatic shutdown when pressure pad is empty
- manual pressure reduction possible
- Additional, mobile containers 110 l
(no pump included)

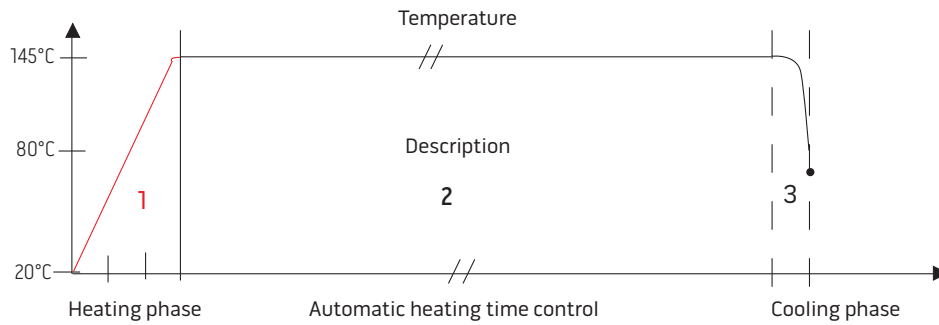


Storage tank for pressure water system

- For 50/50-mixture water/glycol
- Capacity: 30 or 50 l

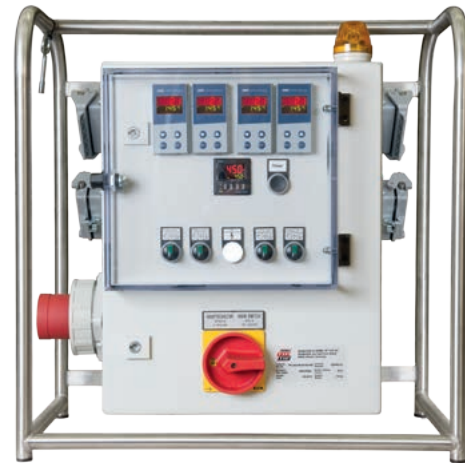
ELECTRONICS CONTROL CABINET

with digital temperature setting, touch panel and data recording



Electronics control cabinet

- Design of required control cabinet depends on number of heating plates
- Exact temperature measurement inside of heating plates via double PT 100 electronics sensor with digital display of set point temperature and real value temperature
- Quick programming of electronic temperature controllers
- In case of electronic control failure switch to manual operation mode
- Digital automatic timer
- Monitoring of differences between the single heating circuits +/- 2,5 K
- Optical signal shows end of vulcanizing time
- Protection class IP 44



Technical modifications reserved.

Electronics control cabinet with data recording

- Exact temperature measurement inside of heating plates via double PT 100, display on touch panel
- Enclosed software for the composition of a vulcanization protocol as a PDF document
- In case of electronic control failure switch to manual operation mode
- Monitoring of differences between the single heating circuits +/- 2,5 K
- USB interface for data transfer
- Optical signal shows end of vulcanizing time
- Optionally equipped with WLAN module for real-time display on MS Windows notebook or tablet
- Illuminated control panel
- Protection class IP 44
- Menu navigation (DE/EN/ES/FR)



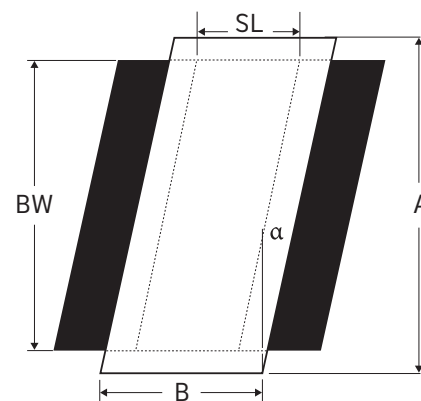
Technical modifications reserved.

Touch Panel

Visualization of:

- Outside temperature
- Air humidity
- Actual pressure bag pressure
- Set point/actual temperature value of heating plates
- Set point/actual value of vulcanizing time

TECHNICAL DATA
REMAPRESS IVE AIR/FLUID



A = Plate width
B = Plate length
BW = Belt width
SL = Splicing length
 α = Rhombic 16° 42'

Technical data REMAPRESS IVE AIR

Ref. No.	Specification	Belt width BW (mm)	Plate width (A) (mm)	Splicing length (SL) (mm)	Plate length (B) (mm)	Crossbeams dimensions (mm)	Crossbeams length (mm)	No. of crossbeams (pairs)
595 9460	REMAPRESS IVE AIR 650-600	650	750	600	800	150 x 102	1.100	4
595 9470	REMAPRESS IVE AIR 800-600	800	900	600	800	150 x 102	1.250	4
595 9490	REMAPRESS IVE AIR 1000-600	1.000	1.100	600	800	150 x 102	1.450	4
595 9580	REMAPRESS IVE AIR 1200-600	1.200	1.300	600	800	200 x 102	1.650	5
595 9540	REMAPRESS IVE AIR 800-800	800	900	800	1.046	150 x 102	1.250	6
595 9560	REMAPRESS IVE AIR 1000-800	1.000	1.100	800	1.046	150 x 102	1.450	6
595 9590	REMAPRESS IVE AIR 1200-800	1.200	1.300	800	1.046	200 x 102	1.650	6
595 9610	REMAPRESS IVE AIR 1400-800	1.400	1.500	800	1.046	256 x 112	1.900	6
595 9550	REMAPRESS IVE AIR 800-1000	800	900	1.000	1.200	150 x 102	1.250	7
595 9570	REMAPRESS IVE AIR 1000-1000	1.000	1.100	1.000	1.200	150 x 102	1.450	7
595 9600	REMAPRESS IVE AIR 1200-1000	1.200	1.300	1.000	1.200	200 x 102	1.650	6
595 9620	REMAPRESS IVE AIR 1400-1000	1.400	1.500	1.000	1.200	200 x 102	1.900	7
595 9630	REMAPRESS IVE AIR 1600-1000	1.600	1.700	1.000	1.200	256 x 112	2.100	6

Other dimensions available on request.
Technical modifications reserved.

Technical data REMAPRESS IVE FLUID

Ref. No.	Specification	Belt width BW (mm)	Plate width (A) (mm)	Splicing length (SL) (mm)	Plate length (B) (mm)	Crossbeams dimensions (mm)	Crossbeams length (mm)	No. of crossbeams (pairs)
595 9480	REMAPRESS IVE FLUID 800-600	800	900	600	800	150 x 102	1.250	5
595 9640	REMAPRESS IVE FLUID 800-800	800	900	800	1.046	150 x 102	1.250	7
595 9650	REMAPRESS IVE FLUID 1000-800	1.000	1.100	800	1.046	200 x 102	1.500	7
595 9670	REMAPRESS IVE FLUID 1200-800	1.200	1.300	800	1.046	256 x 112	1.650	7
595 9700	REMAPRESS IVE FLUID 1600-800	1.600	1.700	800	1.046	256 x 112	2.100	7
595 9660	REMAPRESS IVE FLUID 1000-1000	1.000	1.100	1.000	1.200	150 x 102	1.500	8
595 9680	REMAPRESS IVE FLUID 1200-1000	1.200	1.300	1.000	1.200	256 x 112	1.650	7
595 9690	REMAPRESS IVE FLUID 1400-1000	1.400	1.500	1.000	1.200	256 x 112	1.950	8

Other dimensions available on request.
Technical modifications reserved.



Your local contact



// ONE BRAND // ONE SOURCE // ONE SYSTEM

// SERVICE

// MATERIAL PROCESSING

// SURFACE PROTECTION

// AUTOMOTIVE

REMA TIP TOP AG

Gruber Strasse 65 · 85586 Poing / Germany

Phone: +49 8121 707-0

Fax: +49 8121 707-10 222

info@tiptop.de

www.rema-tiptop.com

